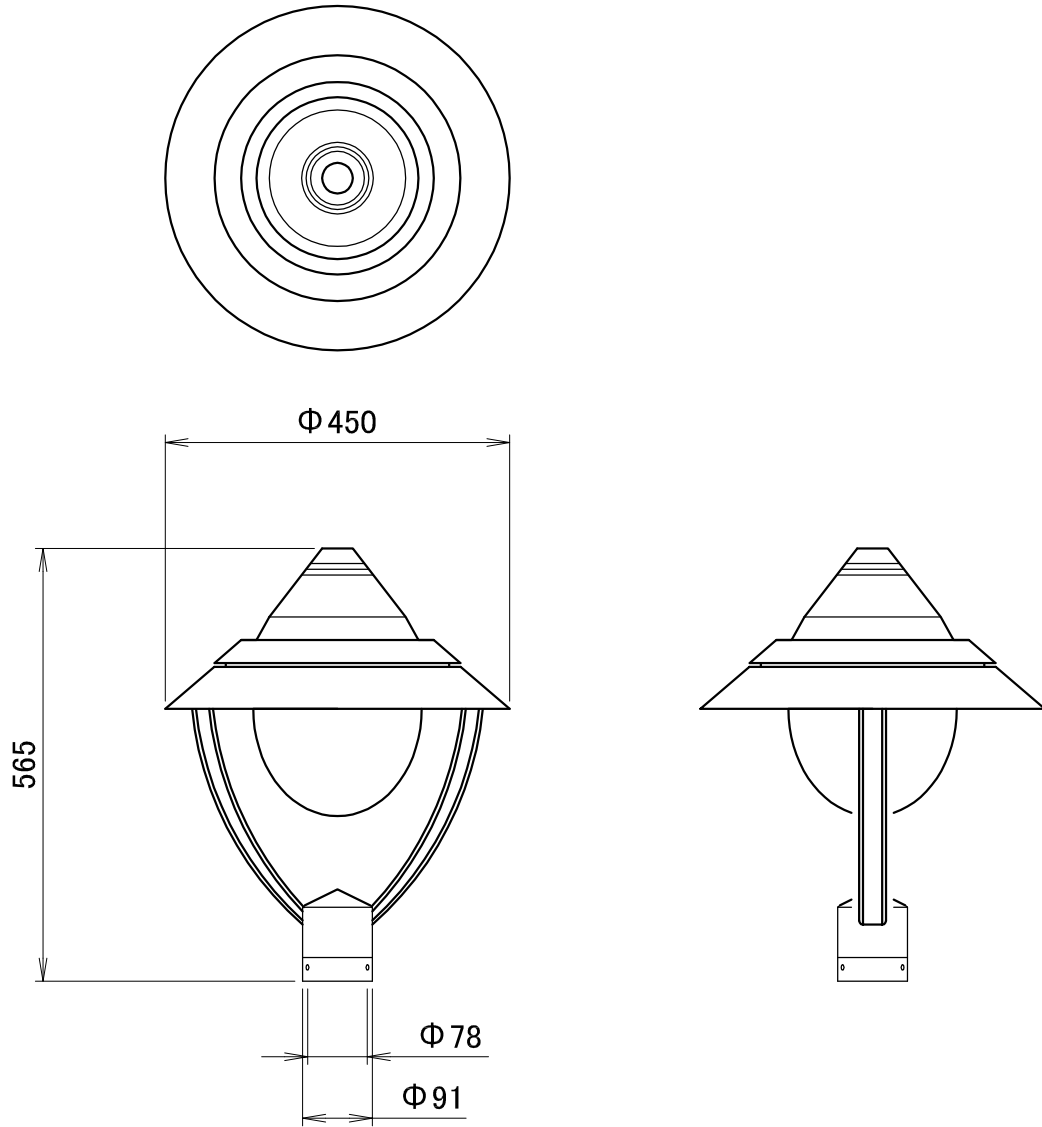


Rev	Redrower	Date	Modification



Presented by		株式会社ダイク			
Drowed by	Ryota Sato	2012.07.05	Scale	1 / 10	trigonometry
Approbed by	Kenji Arata	2012.07.05	Design Name C-103 外形図		
Customer	技術資料		Design Num		Revision
Date	2012.07.05		DA4-00080		