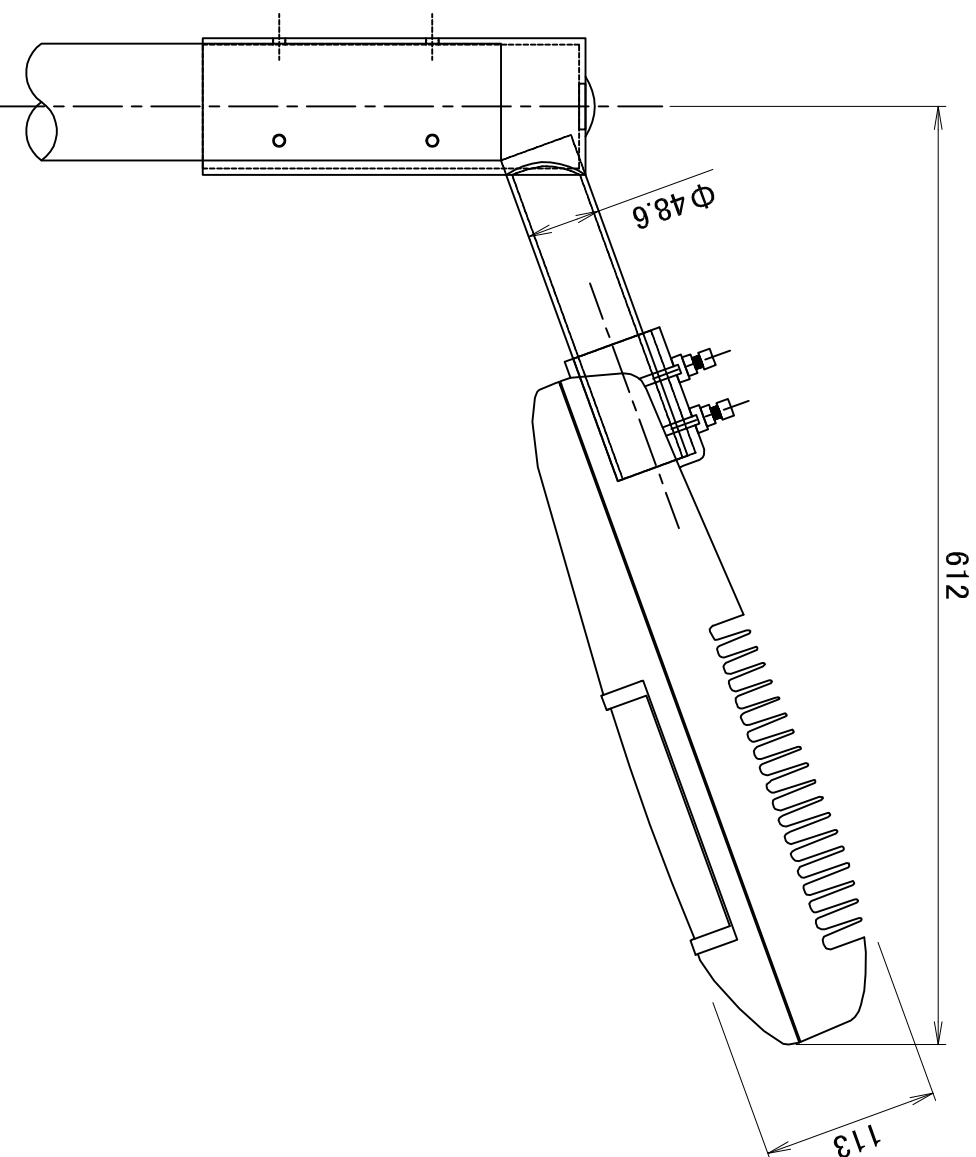
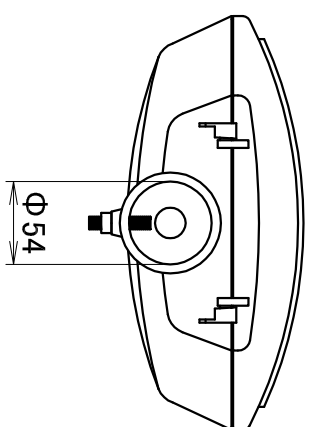
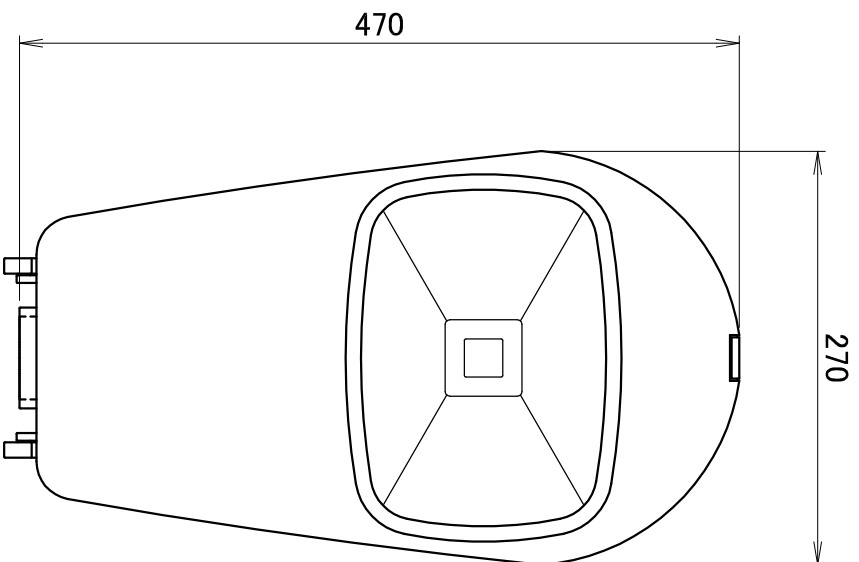


Rev	Redrower	Date	Modification



株式会社ダイク

Presented by

Drowed by Ryota Sato 2012.10.24 Scale 1 / 5 trigonometry

Approbred by Kenji Arata 2012.10.24 Design Name SH-111 取付要領図

Customer 技術資料 Design Num DA4-00110 Revision

Date 2012.10.24