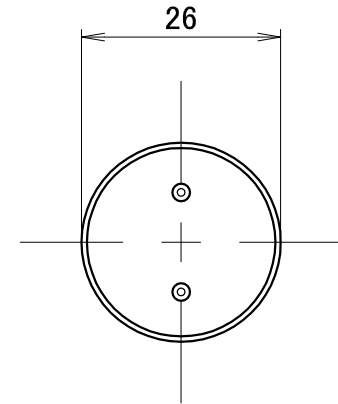
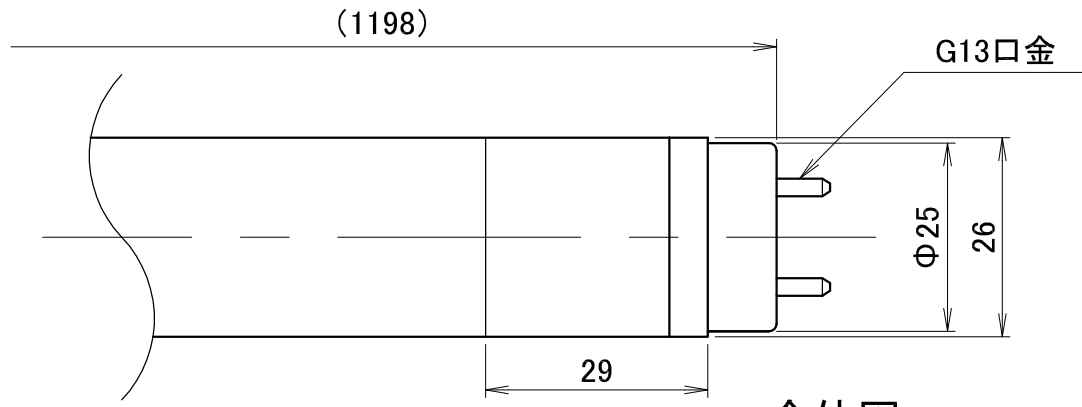
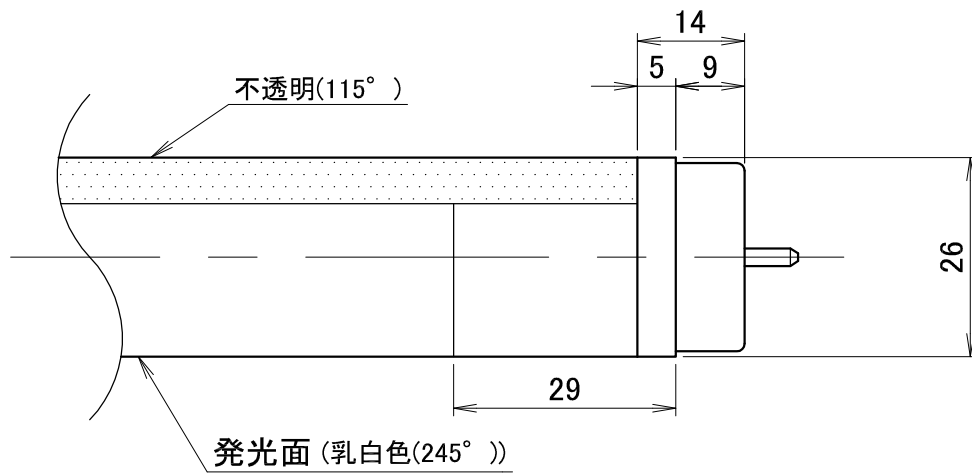


Rev	Redrower	Date	Modification
A	Sugiyama	2017.2.14	初版

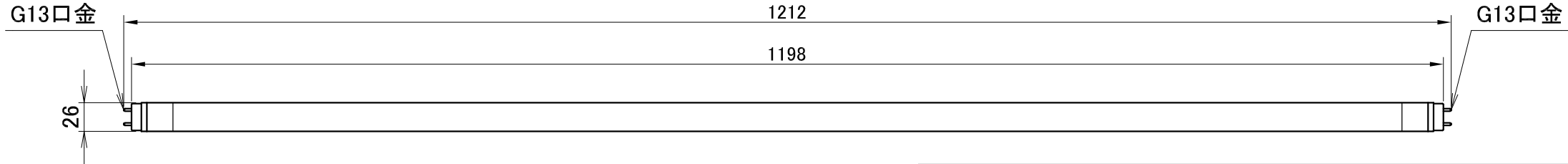


全体図

(1/5)

1212

1198



Presented by	株式会社ダイトク				
Drowed by	Sugiyama	2017.2.14	Scale	1 / 1	trigonometry
Approved by	Mitaki	2017.2.14	Design Name T-442 外形図		
Customer	技術資料		Design Num		Revision
Date	2017.2.14		DA4-00278		A