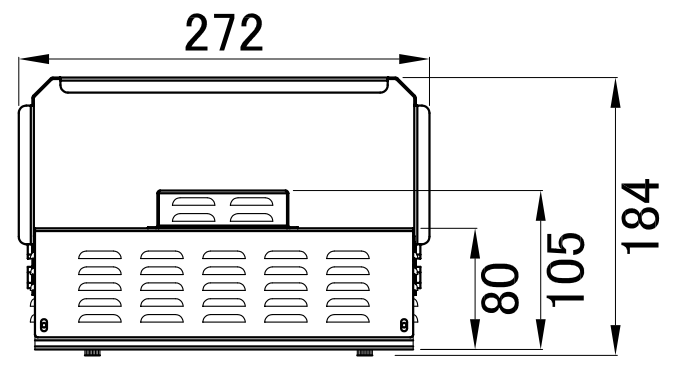
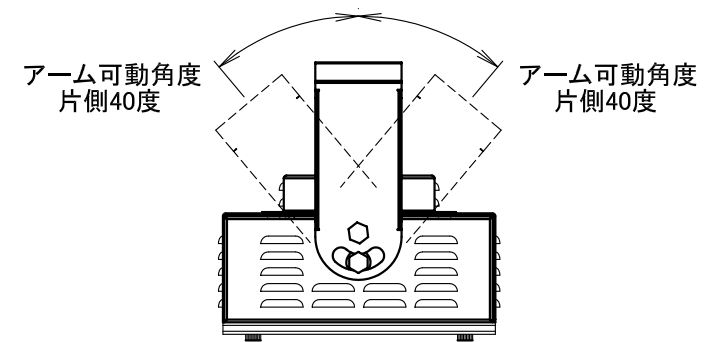
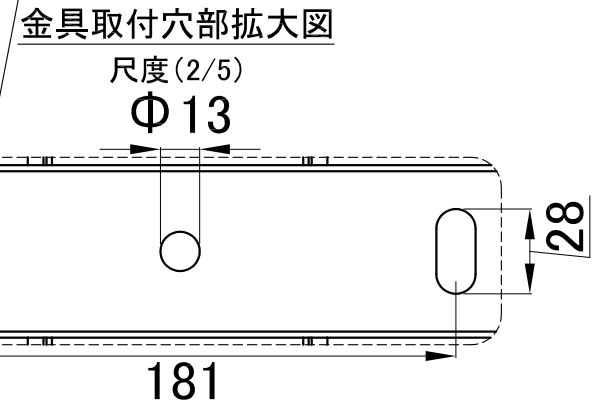
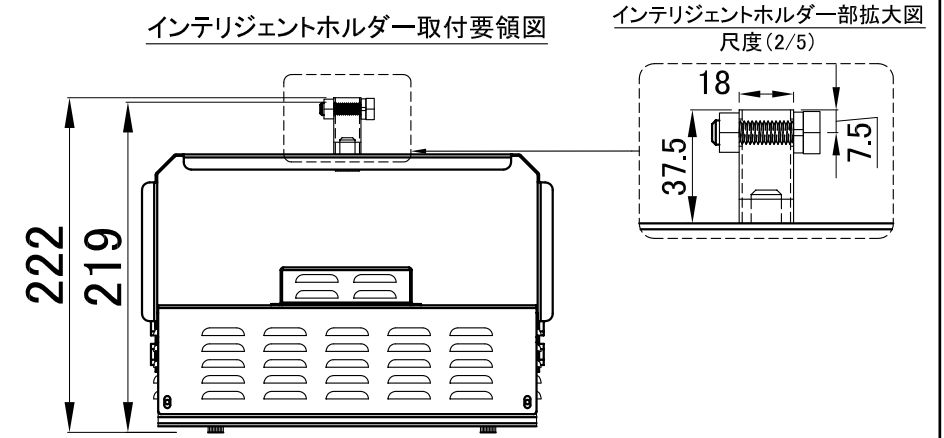
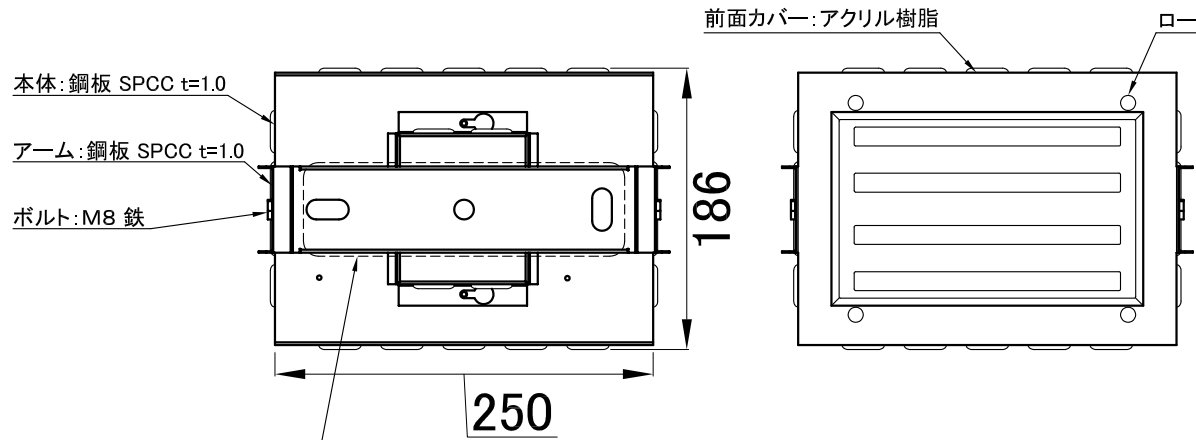


Rev	Redrower	Date	Modification
A	Sugiyama	2018.9.18	初版
B	Sugiyama	2019.2.25	寸法変更



単位: mm

Presented by					株式会社ダイク				
Drowed by	Sugiyama	2019.2.25	Scale	1 / 5	trigonometry				
Approved by	Mitaki	2019.2.25	Design Name		MH-501-55W 外形図				
Customer	技術資料				Design Num		Revision		
Date	2019.2.25				DA4-00295		B		